

ExLED Linear

LED IP66

The ExLED is a linear LED luminaire designed to replace traditional linear T8 fluorescents. It is certified for use in Zone 1 and 21 hazardous areas.

Key Features:

- Reduced maintenance and downtime due to longer maintenance intervals
- Replace LED and driver modules on-site
- Emergency battery backup with automatic monitoring and bi-colour LED indicator
- Automatic function and duration testing



Luminaire Ratings

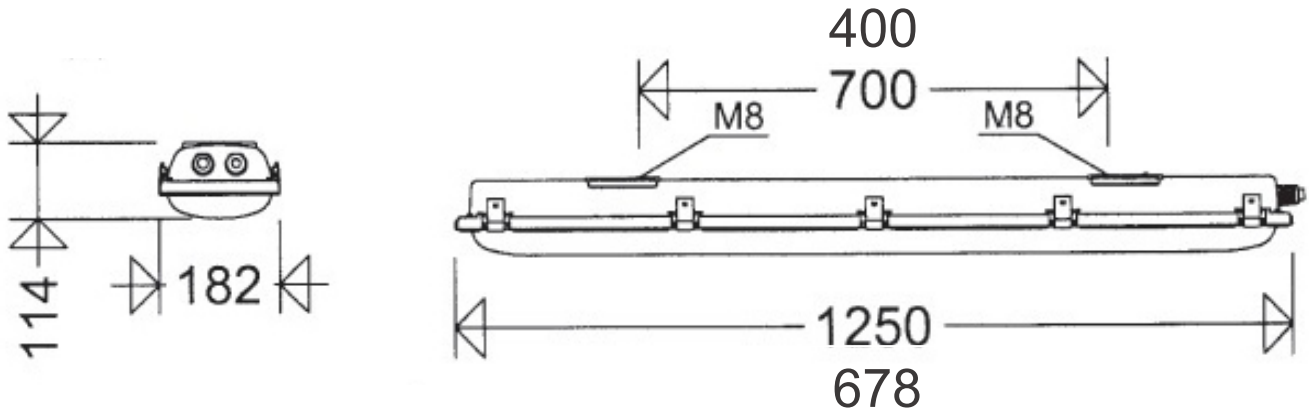
Product Reference	Fluorescent Equivalent	Length (mm)	Power (W)	Lumen Output (lm)	Temperature Rating	Ambient Temperature*	Weight (kg)
LX1E865F06L22	2 x 18W	678	15	2170	T4	-30°C to 55°C	4.9
LX1E865F12L42	2 x 36W	1250	34	4,520	T4	-30°C to 55°C	6.1
LX1E865F12L60	2 x 58W	1250	47	5,920	T4	-30°C to 55°C	6.1
LX1E864F12L4234	2 x 36W	1250	35	4,770	T4	-30°C to 55°C	8.0
LX1E864F12L6034	2 x 58W	1250	47	5,920	T4	-30°C to 55°C	8.0

865 = Standard operation or for use with central battery systems, **864 = Emergency battery backup version**

* high temperature version available – contact sales for information

Standard Specifications

Luminaire Type	Zone 1 Linear LED Luminaire
Ingress Protection	IP66
Material	GRP enclosure with frosted polycarbonate diffuser, stainless steel clips. GRP battery box for emergency version
Distribution/output	Via diffuser.
Light Source	Light emitting diode, pure white (6500K)
LED Life	100,000 hours L ₇₀ @ 55°C
Colour Rendering Index	CRI 80
Cable Entry	3 x M25 clearance holes. Supplied with 1 x Ex plug and 2 x Ex plastic glands
Terminals	Terminal block for up to 4mm ² conductors, through wiring as standard
Control Gear	High Frequency
Mounting	M8 fixing points
Supply	220 to 240V 50/60Hz ac dc
Battery (864 only)	4 Ah NiCd
Duration (864 only)	3 hours
Certification	
Area Classification	Zone 1 & 21, Gas & Dust
Type of Protection	Increased Safety (Ex e)
Apparatus Coding	Non Em: II 2 G Ex eb mb op is q IIC T4 Gb, II 2 D Ex tb op is IIIC T80°C Db Em: II 2 G Ex db eb [ib] mb op is q IIC T4 Gb, II 2 D Ex op is tb IIIC T80°C Db
Certificate Number	IBExU 17 ATEX 1026, IECEx IBE 10.0010



Options

ZB	Adaption for use with central battery connection
RR	Single sided Loop in / Loop out connections
DALI	Dimming via DALI commands
RI	Remote inhibition facility

Accessories

LX4MOD-HK	Retaining clips for variable mounting distances (Pair)
LX4MOD-PM1	Pipe clamps 1 1/2" with support (Pair)– 316 SS
LX4MOD-PM2	Pipe clamps 2" with support (Pair) – 316 SS
LX4MOD-CB	Ceiling mount bracket (Pair)- 316 SS
LX4MOD-WBA	Wall mounting bracket (Pair) – 316 SS
LX4MOD-WBA30	Angled (30°) wall mount bracket (Pair)- 316 SS
LX4MOD-WBA45	Angled (45°) wall mount bracket (Pair)- 316 SS
LX4MOD-HE	Suspension eyes with bolts (Pair) – 316 SS
LX4MOD-ECP1	Brass internal earth continuity plate (1 x M25)
LX4MOD-ECP2	Brass internal earth continuity plate (2 x M25)