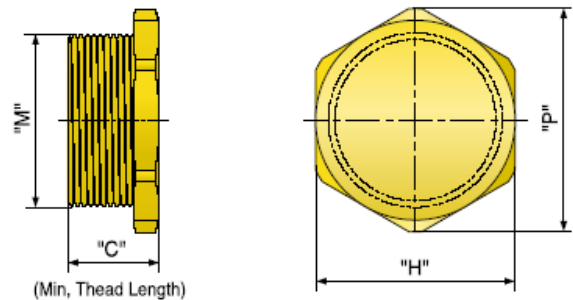


Stopping Plugs – ABSP Range

- Suitable for use in Zone 1, Zone 2, Zone 21 & 22
- For sealing unused metric cable gland entries whilst maintaining the requirements of the enclosure certification
- Protection: II 2 GD Exe IIC Ex tb IIIC, IP67
- Material: Nickel Plated Brass or Stainless Steel
- Baseefa09ATEX0189U
- IEC Ex: IECEx BAS 09.0091U



Entry Size	Material	Part No.	Thread Size "M"	Hexagonal Dimensions		Min Thread Length "C"
				"H"	"P"	
M16	Nickel Plated Brass	EAPM16ABSPHNP	M16 x 1.5	20	22	15
	Stainless Steel	EAPM16ABSPHSS				
M20	Nickel Plated Brass	EAPM20ABSPHNP	M20 x 1.5	24	26.8	
	Stainless Steel	EAPM20ABSPHSS				
M25	Nickel Plated Brass	EAPM25ABSPHNP	M25 x 1.5	30	33.5	
	Stainless Steel	EAPM25ABSPHSS				
M32	Nickel Plated Brass	EAPM32ABSPHNP	M32 x 1.5	35	40.5	
	Stainless Steel	EAPM32ABSPHSS				
M40	Nickel Plated Brass	EAPM40ABSPHNP	M40 x 1.5	45.8	51.2	
	Stainless Steel	EAPM40ABSPHSS				
M50	Nickel Plated Brass	EAPM50ABSPHNP	M50 x 1.5	55	61.5	
	Stainless Steel	EAPM50ABSPHSS				
M63	Nickel Plated Brass	EAPM63ABSPHNP	M63 x 1.5	70	77	
	Stainless Steel	EAPM63ABSPHSS				
M75	Nickel Plated Brass	EAPM75ABSPHNP	M75 x 1.5	80	88.5	
	Stainless Steel	EAPM75ABSPHSS				
M85	Nickel Plated Brass	EAPM85ABSPHNP	M85 x 1.5	90	99	
	Stainless Steel	EAPM85ABSPHSS				

Accessories

Lock-Nuts, Sealing washers, Serrated washers, Earth Tags and PVC Shrouds are all available.