

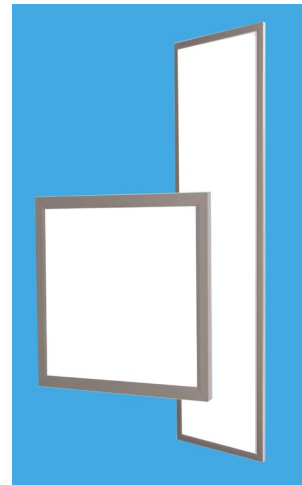
# Nimbus Panel Luminaire

LED IP44

The Nimbus is a low-profile LED panel. It provides a significant space and energy savings over a traditional recessed fluorescent.

## Key Features:

- Excellent uniformity and colour rendering
- Dimmable (Push to dim)
- Emergency version with battery status/fault condition indicator
- 5-year complete system warranty\*



## Luminaire Ratings

Product Reference	Dimensions (mm)	Power (W)	Lumen Output (lm)	Ambient Temperature	Weight inc. Driver (Kg) Std / Em
LX1NIM05LB57	150 x 150	6W	730	-20°C to +45°C	3.6 / 9.6
LX1NIM051LB57xx**	200 x 350	12W	1,460	-20°C to +45°C	4.7 / 10.7
LX1NIM11LB57	300 x 300	12W	1,460	-20°C to +45°C	5.2 / 11.2
LX1NIM125LB57	275 x 600	18W	2,100	-20°C to +45°C	6.8 / 12.8
LX1NIM12LB57	300 x 600	18W	2,100	-20°C to +45°C	7.2 / 16.2

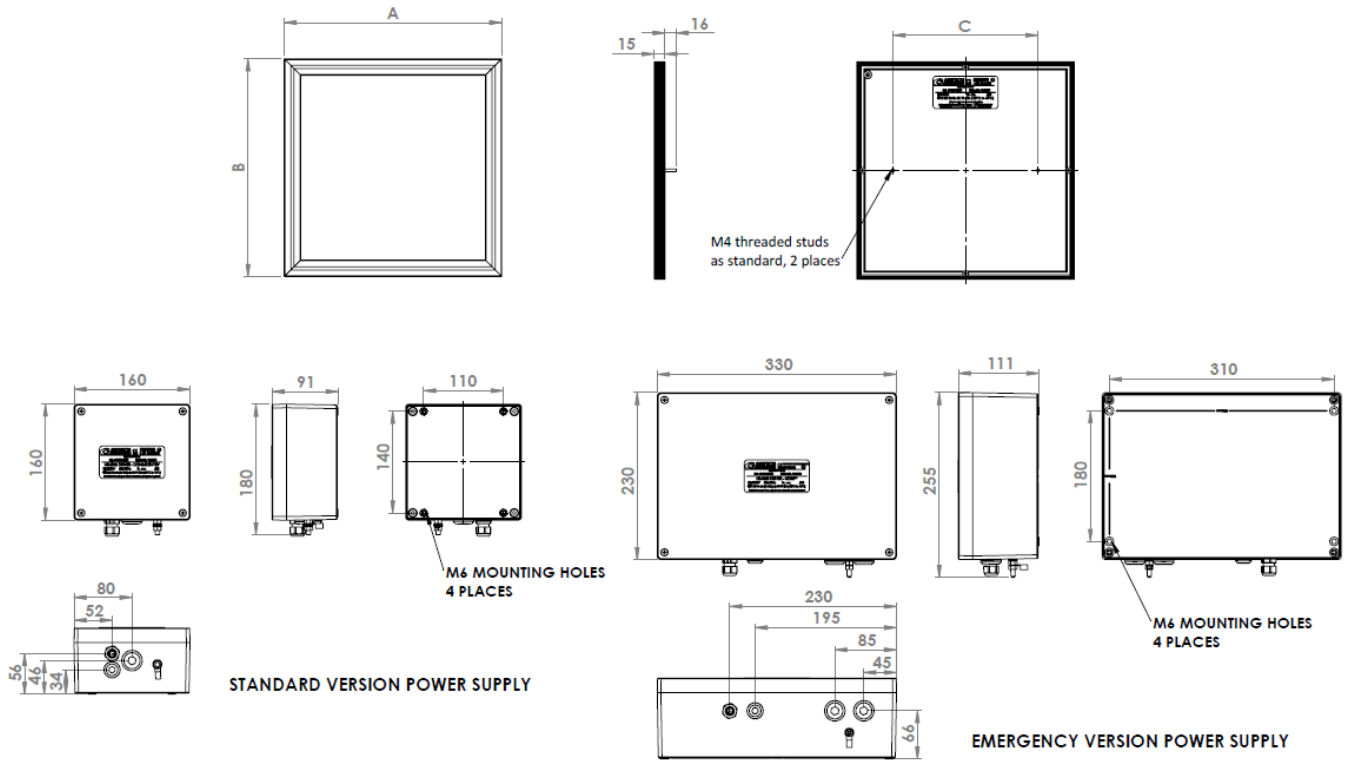
Add E to the coding for Emergency version e.g. LX1NIME11LB57, standard is the 180 minute @ 25% version.

## Standard Specifications

Luminaire Type	LED panel luminaire
Ingress Protection	IP44 Panel, IP66 Driver to EN60529
Material	Panel: Aluminium frame, PMMA diffuser / Driver: Aluminium enclosure
Lamp Type	Light emitting diode, pure white (4000K)
LED Life	50,000 hours L <sub>70</sub> @ 25°C
Colour Rendering Index	CRI 80
Installation Connections	3.5m flying lead from driver to panel. Cable is fire retardant LSZH to IEC 60331-21 & 31, IEC 60754-1 and IEC 61034-2
Control Gear	Electronic driver: EN60601-1 (CE), EN61204-3 (EMC), EN61000-4-5 (Surge Protection Class 3).
Dimming	Push to dim: 100% > 75% > 50% > Off
Mounting	Via removable 40mm M4 studs secured on to back plate
Supply	90V to 264V 50/60Hz ac
Emergency Duration	180 minutes at 25% output (optional 90 minutes at 50% output)
Battery	6V 4.5Ah Ni-Cd
Area Classification	Zone 1, Gas
Type of Protection	Panel – Ex ib (intrinsically safe) Driver – Ex eb ib q (increased safety, intrinsically safe, sand filled)
Apparatus Coding	Panel – Ex ib IIB T4 Gb Driver – Ex eb [ib Gb] qb IIB T4 Gb
Certificate Number	CML 16ATEX3026X / IECEx CML 16.0020X

\* Warranty excludes batteries for emergency version. \*\* Supplied as Running Man Exit Sign – add suffix.

LED PANEL



	NIMBUS05	NIMBUS051	NIMBUS11	NIMBUS125	NIMBUS12
A	150	300	300	275	300
B	150	150	300	600	600
C	75	200	200	400	400

Options

E90	90-minute emergency duration (90 minutes at 50% output)
RMD	Running Man decal with down arrow (NIM051 only)
RML	Running Man decal with left arrow (NIM051 only)
RMR	Running Man decal with right arrow (NIM051 only)

Add the required suffix to the product reference.

Example: **LX1NIM051LB57RMD** = Zone 1, 12W panel with Running Man Down Arrow decal.

Control Enclosure Mounting Feet (LX4NIM-EMF)



Set of four stainless steel mounting feet with fixings for attaching to control gear enclosure.